

Features

- ✧ Input port is provided with Class B pathway supervision when connects with 4.7KΩ EOLR (Part Number 3010786).
- ✧ Input port can be programmed to monitor either normally open or normally closed dry contact input.
- ✧ Electronically addressing. Addresses can be modified in field.
- ✧ Built-in microprocessor processes messages intelligently.
- ✧ Input port utilizes AD sampling technology for precise testing.
- ✧ Guide rail mounting.
- ✧ Compatible with GST-M200 and GST-IFP4M Fire Alarm Control Panels (FACP)
- ✧ Standard: UL864, NFPA [70, 72.]

Description

DI-M9300 Digital Single Input Module is used for receiving normally open or normally closed switch signals, and transmitting the signals to fire alarm control panel (FACP) through signaling line circuit (SLC) loop to FACP.

Connection and Cabling

Terminals of the module are shown in Fig. 1.

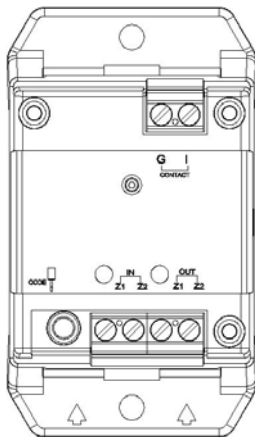


Fig. 1

- ✧ (Z1, Z2) IN & OUT: Connecting with the Signaling Line Circuit (SLC) loop of FACP, polarity-insensitive.
- ✧ I, G: Connecting with normally-open contact of an input device that closes when the device is in alarm or changes state. It may also be set to normally-closed checking input by a hand-held programmer.
- ✧ CODE: Connecting with the programmer.

Recommended Wiring: minimum 17 AWG. Subject to local codes.



Installation

Warning: Before installing the module, disconnect power from the loop and verify that the guide rail is securely installed.

- 1) Before installation, make sure the enclosure is in good condition and markings are complete.
- 2) The module shall either be installed in a North America standard metal electrical box. Minimum size is 4 in. square, 2-1/8 in depth (in this case, standard box cover is required), or in a UL Signaling Listed enclosure that provides minimum wiring entries and spacing as shown on Fig 2 and Fig 3. Minimum mounting space is 67 × 40.5 mm.

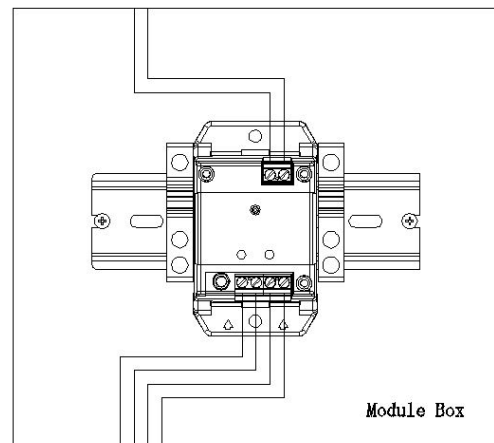


Fig. 2

Application

The module may be used to monitor status of fire suppression devices, such as water flow indicator, pressure switch, position switch, signal valve, and devices that can feedback the ON/OFF signal.

Parameters can be programmed through P-9910B programmer.

Programming Parameters:

In standby state of the programmer, press *Fn* and then number "3", "—" will be popped up on the screen to indicate it is in programming mode. Write a parameter and then press "Program", a "P" will show on the screen meaning the parameter is programmed.

Parameters used for setting includes:

| | |
|----------------------------|-----------------|
| 1 | normally-closed |
| Any other numbers(default) | normally-open |

Note: "Normally-closed" option can only be used for trouble circuit, or Class E non-fire, non-emergency input, e.g. door status sensor.

- ✧ Connection of the module to field devices with normally-open dry contact is shown in Fig. 6.
- ✧ Connection of the module to field devices with normally-closed dry contact is shown in Fig.7.

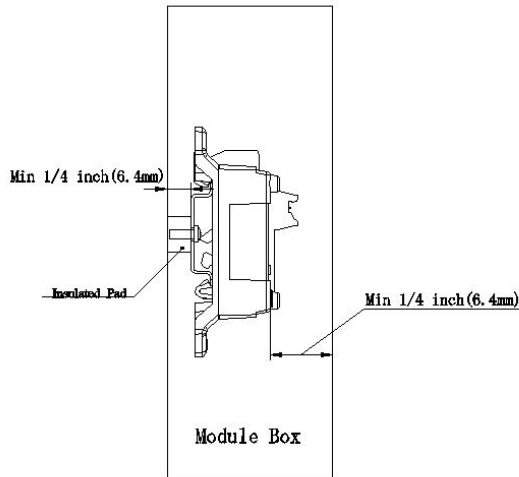


Fig. 3

- 3) The module can be mounted on a guide rail as shown on Fig 4.
- 4) The module can also be installed in the enclosure by 4 mounting screws as shown in Fig.5.

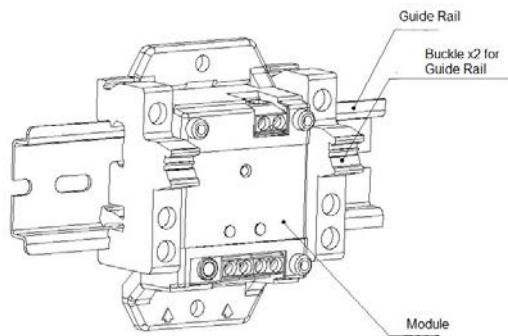


Fig. 4

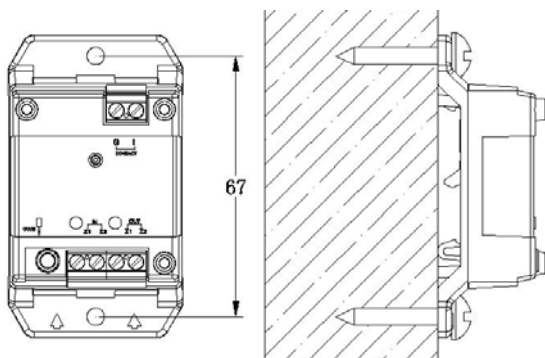


Fig.5

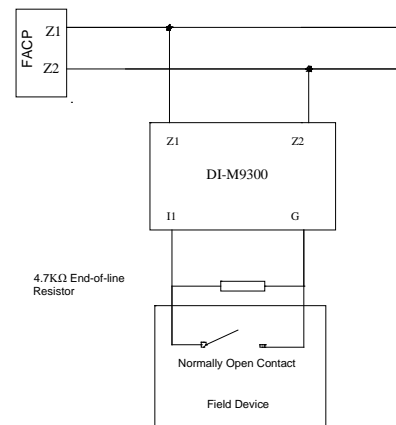


Fig. 6

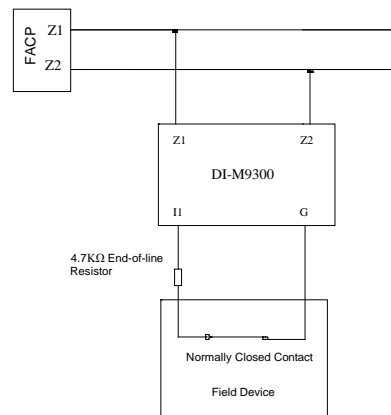


Fig. 7

Specification

| | |
|---|--|
| Operating Voltage | Loop 24VDC (16VDC - 28VDC) Power Limited |
| Standby Current | ≤ 0.26 mA |
| Action Current | ≤ 0.5 mA |
| Programming | Electronically addressing |
| Initiating circuit maximum line impedance | 25Ω each wire |
| Address Range | Occupy one address from 1 to 242. |
| LED | Feedback LED: Red. It lights on activation, quiet in loop power down, and flashes in other states. Fault LED: Yellow. It lights 0.5s on and 0.5s off as there is input fault. It turns off in other states. |
| Ingress Protection Rating | IP30 (not tested by UL) |
| Operating Temperature | 0°C - +49°C |
| Relative Humidity | ≤ 93%, Non Condensing |
| Materials of the Enclosure | ABS, white (RAL9016) |
| Dimension ((L×W×H) | 78mm×45.3mm×28.5mm (with base) |
| Weight | About 36.8g (with base) |

Accessories and Tools

| Model | Name | Remark |
|---------------|----------------------|---------------------|
| P-9910B | Hand Held Programmer | Supplied separately |
| RY-1W-4.7k±5% | End of Line Resistor | Provided |

Limited Warranty

GST warrants that the product will be free from defects in design, materials and workmanship during the warranty period. This warranty shall not apply to any product that is found to have been improperly installed or used in any way not in accordance with the instructions supplied with the product. Anybody, including the agents, distributors or employees, is not in the position to amend the contents of this warranty. Please contact your local distributor for products not covered by this warranty.

This Data Sheet is subject to change without notice. Please contact GST for more information or questions.

Gulf Security Technology Co., Ltd.

No. 80, Changjiang East Road, QETDZ, Qinhuangdao, Hebei, P. R. China 066004

Tel: +86 (0) 335 8502434 Fax: +86 (0) 335 8502532

service.gst@fs.utc.com www.gst.com.cn