



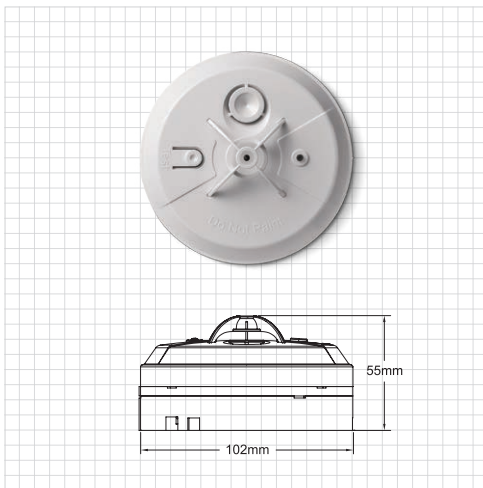
# NQ9F

## Single Station Heat Detector

### Characteristics

- Detector has passed strict quality control and repetitive testing; hence its quality is durable and highly reliable.
- Simple test method: Press test button to hear the alarm sound and confirm the unit is in normal condition.
- Easy installation: Install directly to proper location without any wiring.
- It is equipped with 9VDC battery, and optional 100~240VAC power plug is available.
- Optional relay output : COM. NO. NC.
- Optional series connection wiring can co-activate up to 20 detectors.

Approvals: 



### Effective alert area

Construction/Height	Under 4M	4M ~ 8M
Fire-proof Building	60 M <sup>2</sup>	30 M <sup>2</sup>
Ordinary Building	30 M <sup>2</sup>	15 M <sup>2</sup>

### Specifications

Model	NQ9F
Power	9V battery
Thermal Setting	70°C
Indicator	Standby: flash every 40 seconds
	Alarm: flash and beep continuously
	Battery abnormal: beeps and flash intermittently
Sound	90dB / M and above
Ambient Temperature	-10°C ~ +55°C
Material	Fire-proof plastic
Dimensions	102mm(Dia.) x 55mm(H)
Weight	About 150g
Color	White
Optional Function	Type 1 : 9V battery
	Type 2 : includes signal transfer COM. N.O. N.C.
	Type 3 : Type 2 + Type 4
	Type 4 : build-in 110VAC or 220VAC plug